



## Saxon Indicators

A range of 2 1/2", 3 1/2" and 4 1/2" surface mount panel meters utilising pivot and jewel mechanisms and offering IP54 protection. The range includes iron vane and moving coil AC and DC ammeters and voltmeters, elapsed time and frequency meters designed to perform in demanding environments.

### Specifications – Elapsed Time Meter and Frequency Meter

Accuracy:	0.15 = 60Hz, 1.25 = 400Hz, 0.15 = 50Hz, 0.25 = 55Hz
Voltage:	110/130V, 200/250V
Frequency:	50Hz or 60Hz
Burden:	4VA Maximum

### Specifications – Moving Iron AC Ammeter and Voltmeter

Accuracy:	±2%
Rating:	Ammeters: 1 - 30A Voltmeters: 10V - 600V
Overload:	Ammeters: x1.2 for 2 hours, x10 for 5 seconds Voltmeters: x1.2 for 2 hours, x2 for 5 seconds
Burden:	Ammeters: 0.5VA Voltmeters: 4.5VA maximum

### Specifications – Moving Coil DC Ammeter and Voltmeter

Accuracy:	±2%
Rating:	Ammeters: 100µA - 30A Voltmeters: 50mV - 600V
Operating temp:	-20°C to 60°C (-4°F to 140°F)
Storage temp:	-30°C to 70°C (-22°F to 158°F)

### Features

Three compact case sizes  
Withstands high levels of shock, vibration, dirt and humidity  
Pivot and jewel mechanisms

### Benefits

Complies with ANSI C39.1 (IEC 51)  
IP54 (NEMA 3) protection  
Instruments comply with BSEN61010-1 and meet IEC414 (BS5458)  
Pass dielectric test (2600V for 1min)

### Applications

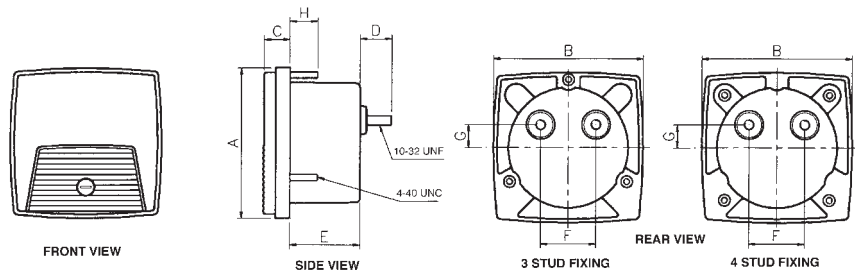
Switchgear  
Distribution systems  
Generator sets  
Control panels  
Energy management  
Building management  
Utility power monitoring  
Process control  
Motor control

### Approvals

UL approved file no. E203000

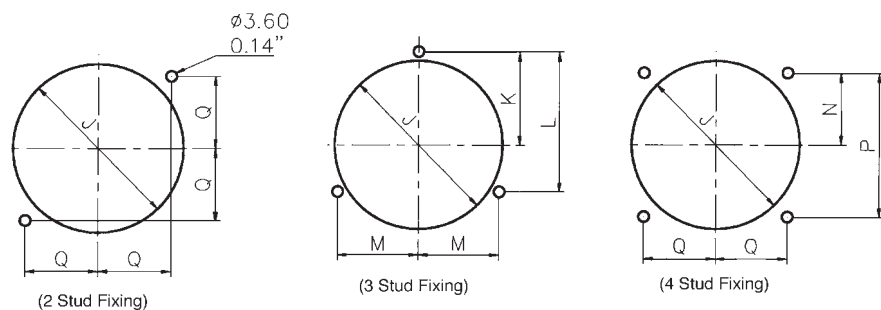
### Dimensions

Specify number of fixing studs when ordering 2 1/2" and 3 1/2" meters. 4 1/2" meters are supplied with 4 fixing studs.



	A	B	C	D	E	F	G	H	J	K	L	M	N	O	P
<b>2 1/2" mm</b>	68.6	68.6	11.8	14.6	32.0	25.4	10.4	12.7	55.9	31	46.5	26.9	23.9	47.8	23.9
inch	2.70	2.70	0.46	0.57	1.26	1.00	0.41	0.50	2.20	1.22	1.83	1.06	0.94	1.88	0.94
<b>3 1/2" mm</b>	88.9	88.9	11.8	14.6	36.0	25.4	10.4	12.7	69.9	40.2	60.3	34.8	28.5	57.0	28.5
inch	3.5	3.5	0.46	0.57	1.42	1.00	0.41	0.50	2.75	1.58	2.37	1.37	1.12	2.24	1.12
<b>4 1/2" mm</b>	112.0	123.2	12.7	16.3	30.5	28.4	0.38	12.7	70.9				51.6	90.4	50.8
inch	4.41	4.85	0.50	0.64	1.20	1.12	0.41	0.50	2.78				2.03	3.56	2.00

### Panel cut-out



**Product Codes – AC Ammeter True RMS Reading (Accuracy ±2% ES)**

Rating	Scaling	Catalogue no.
5A	0-5A	(01*)-75AA-LSLS-C6-B*
10A	0-10A	(01*)-75AA-MTMT-C6-B*
15A	0-15A	(01*)-75AA-NDND-C6-B*
20A	0-20A	(01*)-75AA-NGNG-C6-B*
30A	0-30A	(01*)-75AA-NLNL-C6-B*
1A	Transformer rated	(01*)-75AA-LA**-C6-B*
5A	Transformer rated	(01*)-75AA-LS**-C6-B*



**AC Ammeter**

**Product Codes – AC Voltmeter True RMS Reading (Accuracy ±2% ES)**

150V	0-150V	(01*)-75VA-PZPZ-C6-B*
300V	0-300V	(01*)-75VA-RXRJ-C6-B*
600V	0-600V	(01*)-75VA-SJSJ-C6-B*
150V	Transformer rated	(01*)-75VA-PZ**-C6-B*

**Product Codes – DC Ammeters (Accuracy ±2% ES)**

0-1mA	To suit requirements	(01*)-01AA-FA**-B*
0-5mA	0-5mA	(01*)-01AA-FXFX-B*
0-10mA	0-10mA	(01*)-01AA-GZGZ-B*
0-20mA	0-20mA	(01*)-01AA-HFHF-B*
0-50mA	0-50mA	(01*)-01AA-HYHY-B*
0-100mA	0-100mA	(01*)-01AA-JRJR-B*
0-200mA	0-200mA	(01*)-01AA-KAKA-B*
0-500mA	0-500mA	(01*)-01AA-KMKM-B*
0-1A0-1A	(01*)-01AA-LALA-B*	
0-2A0-2A	(01*)-01AA-LELE-B*	
0-5A0-5A	(01*)-01AA-LSLS-B*	
0-10A	0-10A	(01*)-01AA-MTMT-B*
0-50mV	To suit	(01*)-01AA-EC**-B*



**AC Voltmeter**

**Product Codes – Milliammeters Suppressed Zero (Accuracy ±2% ES)**

4-20mA	To suit requirements	(01*)-01RA-HG**-B*
		**Specify scale value

**Product Codes – DC Voltmeters Sensitivity 1000Ω/Volt (Accuracy ±2% ES)**

0-15V	0-15V	(01*)-01VA-NDND-B*
0-30V	0-30V	(01*)-01VA-NLNL-B*
0-50V	0-50V	(01*)-01VA-NTNT-B*
0-150V	0-150V	(01*)-01VA-PZPZ-B*
0-300V	0-300V	(01*)-01VA-RXRJ-B*
0-600V	0-600V	(01*)-01VA-SJSJ-B*

**Product Codes – Frequency Meters 120V, Self Contained**

50Hz	45-55Hz	(01*)-41SA-PNAG-AG-B*
55Hz	45-65Hz	(01*)-41SA-PNAJ-AJ-B*
60Hz	55-65Hz	(01*)-41SA-PNAN-AN-B*

**Product Codes – Elapsed Time Meters 9999.99 hours, non-resettable**

110/130V, 50Hz	-	(01*)-155A-PNZH-C5-B*
200/250V, 50Hz	-	(01*)-155A-RNZH-C5-B*
480V, 50Hz	-	(01*)-155A-SEZH-C5-B*
110/130V, 60Hz	-	(01*)-156A-PNZH-C6-B*
200/250V, 60Hz	-	(01*)-156A-RNZH-C6-B*
480V, 60Hz	-	(01*)-156A-SEZH-C6-B*



**Frequency Meter**

To denote the required case size, replace the 01\* in the catalogue number with 012, 013 or 014 for 2 1/2", 3 1/2" or 4 1/2" respectively.

To denote the required stud fixing configuration, replace B\* with B2 (2 stud), B3 (3 stud) or B4 (4 stud)



## Features

Contoured window providing an exceptionally high viewing angle  
Withstands high levels of shock, vibration, dirt and humidity

## Benefits

Complies with ANSI C39.1 (IEC 51)  
IP55 (NEMA 4) protection  
Instruments comply with BSEN61010-1 and meet IEC414 (BS5458)  
Dielectric Test (2600V for 1min)  
Customised options and features

## Applications

Switchgear  
Distribution systems  
Generator sets  
Control panels  
Energy management  
Utility power monitoring  
Process control  
Motor control

## Approvals

UL approved file no. E87815

# 016 Series Fiesta Indicators

A robust range of short-scale and long-scale 3½" surface mount panel meters offering IP55 protection and featuring a wide view contoured window. The Fiesta range includes iron vane and moving coil AC and DC ammeters and voltmeters, elapsed time and frequency meters and is ideally suited for demanding environments. Options include supplementary pointer, non-reflecting window, heavily damped movement panel gasket, clamp band fixing long-scale and coloured internal gasket.

## Specifications – Elapsed Time Meter and Frequency Meter

Voltage:	100/125V, 200/250V or 480V AC
Frequency:	50Hz or 60Hz
Burden:	4VA maximum
Operating temperature:	-20°C to 65°C (-4°F to 149°F)
Storage temperature:	-30°C to 70°C (-22°F to 158°F)

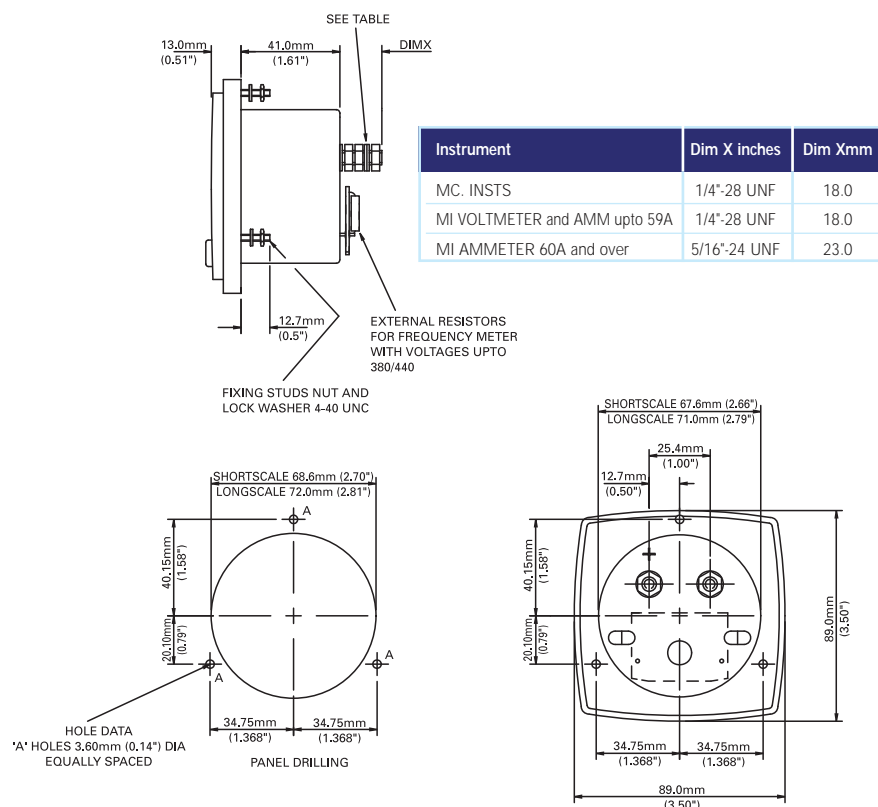
## Specifications – Iron Vane AC Ammeter and Voltmeter

Accuracy:	Short-scale: ammeters 2.5%; long-scale: 1.5 %
Ratings:	Ammeters: short-scale 1 - 80A, long-scale 1 - 20A Volts: 10V - 600V
Overload:	Ammeters: x1.2 for 2 hours, 10 x for 5 seconds Volts: x1.2 for 2 hours, 2 x for 5 seconds
Burden:	Ammeters: short-scale 0.5VA; long-scale 1.5VA Volts: 4.5VA maximum
Operating temperature:	-20°C to 65°C (-4°F to 149°F)
Storage temperature:	-30°C to 70°C (-22°F to 158°F)

## Specifications – Moving Coil DC Ammeter and Voltmeter

Accuracy:	Short-scale 1.5; long-scale 1.5
Ratings:	Ammeters: 200µA to 30A, (100µA short-scale) Volts: 50mV - 600V
Overload:	Ammeters: x1.2 for 2 hours, 10 x for 5 seconds Volts: x1.2 for 2 hours, 2 x for 5 seconds
Impedance:	Volts: 1000 ohms per nominal volt
Operating temperature:	-20°C to 65°C (-4°F to 149°F)
Storage temperature:	-30°C to 70°C (-22°F to 158°F)

## Dimensions



## AC Ammeter

Product Codes – True RMS Reading, Self Contained 50/60Hz

Rating	Scaling	Short-scale catalogue no.	Long-scale catalogue no.
5A	0-5A	•016-02A*-LSLS-C7	016-03A*-LSLS-C7
10A	0-10A	016-02A*-MTMT-C7	016-03A*-MTMT-C7
15A	0-15A	016-02A*-NDND-C7	016-03A*-NDND-C7
20A	0-20A	016-02A*-NGNG-C7	016-03A*-NGNG-C7
30A	0-30A	016-02A*-NLNL-C7	016-03A*-NLNL-C7
5A	Transformer rated	•016-02A*-LS**-C7	016-03A*-LS**-C7

Product Codes – Moving Coil Rectified

100µA - 1A	To suit	016-01B*-	016-05B*-
------------	---------	-----------	-----------

## AC Overload Ammeter

Product Codes – True RMS Reading, Self Contained 50/60Hz

Rating	Scaling	Short-scale catalogue no.	Long-scale catalogue no.
5A	0-5-30A	016-026*-LSLS-C7	016-036*-LSLS-C7
10A	0-10-60A	016-026*-MTMT-C7	016-036*-MTMT-C7
15A	0-15-90A	016-026*-NDND-C7	016-036*-NDND-C7
20A	0-20-120A	016-026*-NGNG-C7	016-036*-NGNG-C7
30A	0-30-180A	016-026*-NLNL-C7	016-036*-NLNL-C7
5A	Transformer rated	016-026*-LS**-C7	016-036*-LS**-C7

## AC Voltmeter

Product Code – True RMS Reading

150V	0-150V	•016-02V*-PZPZ-C7	016-03V*-PZPZ-C7
300V	0-300V	•016-02V*-RXRX-C7	016-03V*-RXRX-C7
600V	0-600V	•016-02V*-SJSJ-C7	016-03V*-SJSJ-C7
150V	Transformer rated	•016-02V*-PZ**-C7	016-03V*-PZ**-C7

Product Code – Moving Coil Rectified

15-600V	To suit	016-01W*-	016-05W*-
---------	---------	-----------	-----------

## DC Ammeters

Product Codes

150V	0-150V	•016-02V*-PZPZ-C7	016-03V*-PZPZ-C7
0-50mV	To suit	016-01A*-EC**	016-05A*-EC**
0-1mA	To suit	•016-01A*-FA**	016-05A*-FA**
0-5mA	To suit	016-01A*-FX**	016-05A*-FX**
0-10mA	To suit	016-01A*-HA**	016-05A*-HA**
0-20mA	To suit	•016-01A*-HF**	016-05A*-HF**

## Suppressed Zero

Product Codes – Milliammeters - No Zero Set Unless Specified

4/20mA	To suit	•016-01RA*-HG**	016-05RA-HG**
--------	---------	-----------------	---------------

Product Codes – Voltage Suppressed Zero - No Zero Set Unless Specified

1-5V	To suit	016-01S*-LM**	-
------	---------	---------------	---

- \* Please state A or B at time of ordering. A = ANSI B = BS89
- \*\* Customer must state required scaling at time of ordering.
- UL approved



AC Ammeter Short-scale



AC Ammeter Long-scale



AC Overload Ammeter



AC Voltmeter



DC Voltmeter



Frequency Meter



Elapsed Time Meter

## DC Voltmeters

### Product Codes – Sensitivity 1000Ω/Volt

Rating	Scaling	Short-scale catalogue no.	Long-scale catalogue no.
0-15V	0-15V	016-01V*-NDND	016-05V*-NDND
0-30V	0-30V	016-01V*-NLNL	016-05V*-NLNL
0-50V	0-50V	•016-01V*-NTNT	016-05V*-NTNT
0-150V	0-150V	•016-01V*-PZPZ	016-05V*-PZPZ
0-300V	0-300V	•016-01V*-RXRX	016-05V*-RXRX
0-600V	0-600V	016-01V*-SJSJ	016-05V*-SJSJ

## Frequency Meters

### Product Codes – 120V, Self Contained

Rating	Scaling	Short-scale catalogue no.	Long-scale catalogue no.
		Standard case	
50Hz centre frequency, -0.15 accuracy	45-55Hz	•016-41S*-PNAG-AG	
55Hz centre frequency, -0.25 accuracy	45-65Hz	•016-41S*-PNAJ-AJ	Use 016-053 plus 253-THZ
60Hz centre frequency, -0.15 accuracy	55-65Hz	•016-41S*-PNAN-AN	
400Hz centre frequency, -1.25 accuracy	360-440Hz	016-41S*-PNBI-BI	

## Elapsed Time Meters

### Product Codes – 99999.99 hours, Non-resettable

		Standard case	
110/130V, 50Hz	–	•016-155*-PNZH-C5	–
200/250V, 50Hz	–	•016-155*-RNZH-C5	–
480V, 50Hz	–	016-155*-SEZH-C5	–
110/130V, 60Hz	–	•016-156*-PNZH-C6	–
200/250V, 60Hz	–	•016-156*-RNZH-C6	–
480V, 60Hz	–	016-156*-SEZH-C6	–

## Transducer Indicators

### Product Codes – DC Milliamp Rated

Speed	To suit	016-012*	016-052
Frequency	To suit	016-013*	016-053
Phase angle	To suit	016-014*	016-054
Watts	To suit	016-015*	016-055
VArs	To suit	016-016*	016-056
VA	To suit	016-017*	–

\* Please state A or B at time of ordering. A = ANSI B = BS89

\*\* Customer must state required scaling at time of ordering.

- UL approved