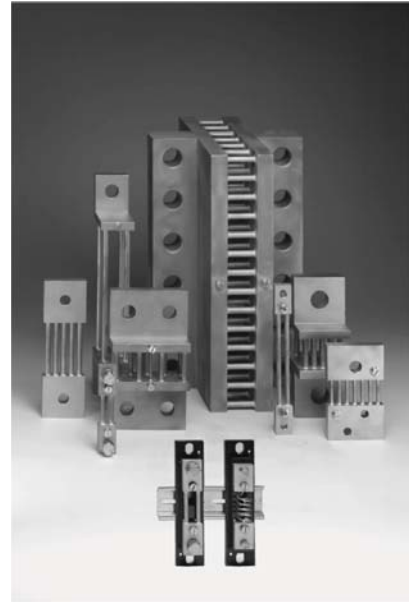


DC Shunts for High current on DC circuits

50mV
60mV
75mV
150mV

For measuring High Value current connection on DC circuits on 0.5 and 1 class.

DC shunts convert high value current in DC circuits into proportional voltage drop (50mV/60mV/75mV/150mV) which can be connected of DC voltmeters to measure the high value current. They come in three forms as described below,



GENERAL FEATURES:

APPLICABLE STANDARDS

Performance specifications for direct acting indicating analogue electrical measuring instruments and their accessories IEC51/DINEN60051 DIN 43701

Shunts DIN 73703

Mounting rails DIN EN 50022-35

Enclosure code IP 00

OVER RANGE:

Shunt 1.2 times nominal current

Insulation class Group A according to VDE 0110

Installation category CAT III 600 V (IEC 61010)

Insulation Resistance >50M Ω at 500 V DC

FACT SHEET:

Form A Insulating base mounted shunts clamping to DIN mounting rail or wall mounting (upto 30A) without insulating base (31...150A)

Form B L-profile end blocks

Resistance bars Manganin

End blocks Form A High conductivity brass

Form B/C High conductivity brass / copper

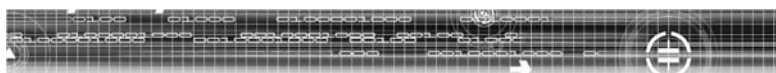
Base material Polycarbonate, black

POWER CONSUMPTION :

Voltmeter < 4.5 VA

Ammeter <15A - < 0.5 VA
>15A - <0.8 VA

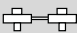


Accuracy class Class 1, 0.5, 0.2



Ziegler

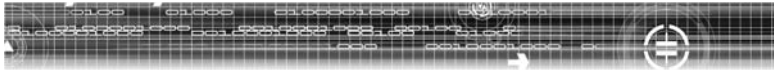
Redefine Innovative Metering

TECHNICAL SPECIFICATIONS:

DIN 43703 standard				
Model		Form A	Form B	Form C
Voltage drop	mV	50mV, 60mV, 75mV, 150mV	50mV, 60mV, 75mV, 150mV	50mV, 60mV, 75mV, 150mV
MEASURING RANGE	In	1,2,4,5,6 10,15,20,25,30,40 50,60,80,100 or 150	200; 250; 300; 400; 500; 600; 750; 800; 1000; 1200; 1500; 2000 or 2500	1200; 1500; 2000 or 2500 3000 or 4000

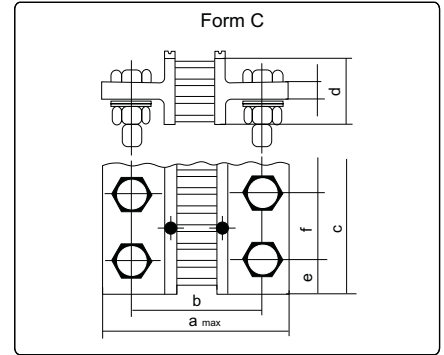
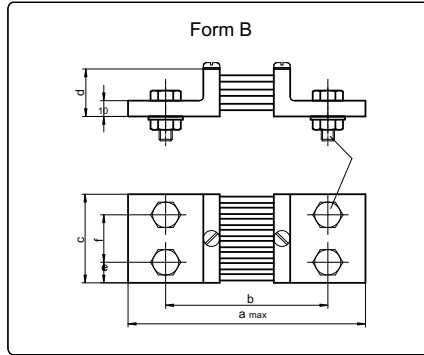
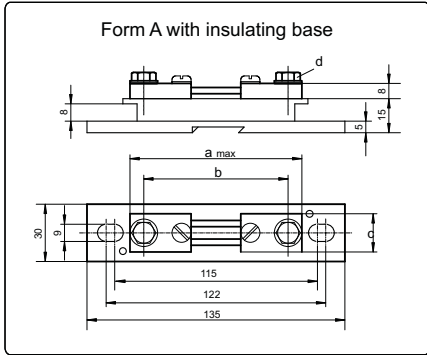
Approximate weight (Kg)							
In	1...30A	31...150A	200...250A	400...600A	1000A	1500A	2500A
50/60mV	0.12	0.13	0.61	0.85	1.45	1.96	2.90
75mV	0.12	0.16	0.61	1	1.90	3	3.10
150mV	0.15	0.23	0.68	1.16	2.15	3.15	5.20

Voltage drop mV	Rated current A	Exec. according to figure	a	b	c	d	e	f	No. of screws	Hexagonal screw DIN 933-5-8
50/60 mV	1...30A	A	90	70	20	-	-	-	2 x 1	M5x12
	31...150A	A	110	80	20	-	-	-	2 x 1	M8x16
	200...250A	B	155	105	30	30	15	-	2 x 1	M12x40
	400...600A	B	155	105	30	30	20	-	2 x 1	M16x45
	1000A	B	175	115	60	30	30	-	2 x 1	M20x50
	1500A	B	175	115	90	30	21	48	2 x 2	M16x45
	2500A	C	175	115	120	30	30	60	2 x 2	M20x50
75mV	200...250A	B	165	125	30	30	15	-	2 x 1	M12x40
	400...600A	B	165	125	40	30	20	-	2 x 1	M16x45
	1000A	B	185	135	60	30	30	-	2 x 1	M20x50
	1500A	B	185	135	90	30	21	-	2 x 2	M16x45
	2500A	C	185	135	120	30	30	-	2 x 2	M20x50
150mV	200...250A	B	270	230	30	50	15	-	2 x 1	M12x40
	400...600A	B	270	230	40	50	20	-	2 x 1	M16x45
	1000A	B	290	240	70	60	35	-	2 x 1	M20x50
	1500A	C	290	240	90	60	21	-	2 x 2	M16x45
	2500A	C	290	240	120	60	30	-	2 x 2	M20x50



Ziegler

Redefine Innovative Metering



ORDERING INFORMATION

Please specify ordering information as given below.

Type	Voltage Drop	Rated Current	Accuracy	Insulating Base
------	--------------	---------------	----------	-----------------

ORDER EXAMPLE

Shunt	75mV	500A	Class 1	NA
-------	------	------	---------	----